

B1 Heavy Duty Sliding Door Hardware



NIKO ... Quality in Motion



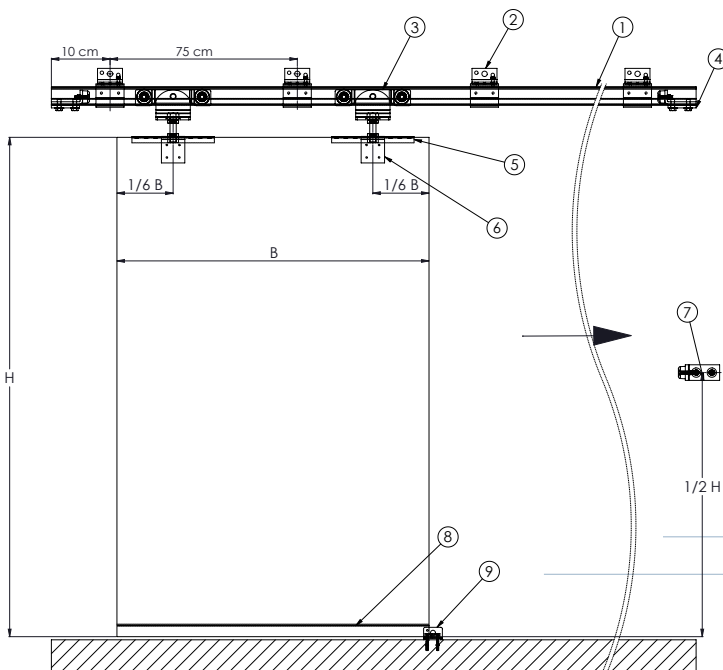
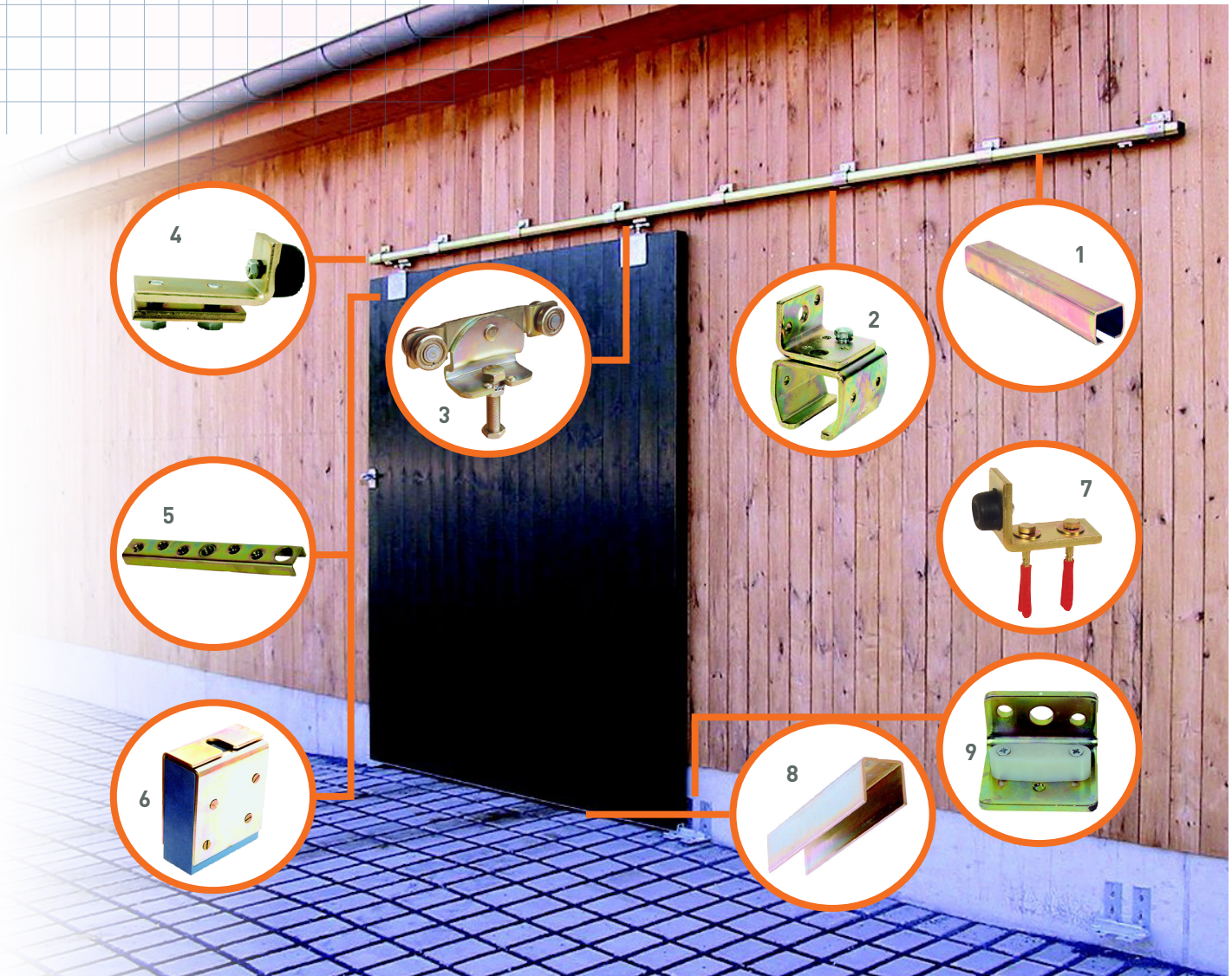
www.niko.eu.com

www.niko.world

Sliding door fittings up to 2000 kg door weight

Perfection down
To The smallest detail

Sliding door fittings from 10 up to 2000 kg door weight.
For this application you can choose from 6 different track profiles.



Optimal corrosion protection by EN compliant galvanization. Ongoing quality control through product monitoring according to EN 1527.

- ✓ Stainless steel 304 (A2), 316 (A4) fittings available
 - ✓ Ammonia resistant bearings available
 - ✓ Different zinc surfaces available
- See our full range of products in our technical catalogue B

- 1 Track
- 2 Wall Support Bracket
- 3 Double Wheel Hanger
- 4 Track End Stop
- 5 Bracket for wooden constructions
- 6 Folding Plate
- 7 Door End Stop
- 8 Guide Track
- 9 Guide with corner Bracket



General Details for track profiles

NIKO Profile No.	Dimensions			
	h (mm)	b (mm)	d (mm)	s (mm)
21.000	28	30	8	1,75
23.000	35	40	11	2,75
24.000	43,50	48,50	15	3,20
25.000	60	65	18	3,60
26.000	75	80	22	4,50
27.000	110	90	25	6,50

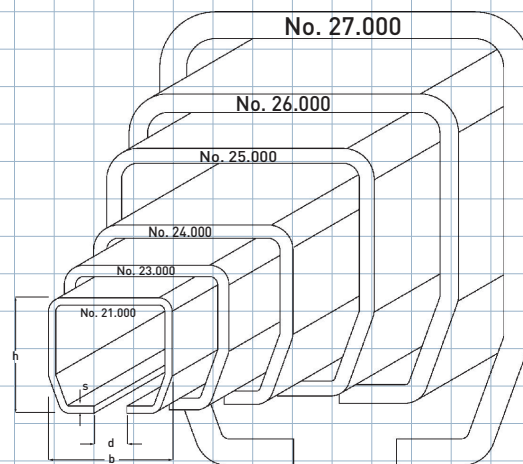


Table with allowed weights for doors

Wheel hangers (single-double)

NIKO Profile No.	Single wheel hanger	Double wheel hanger	Wheel hanger for electric operation	Double wheel hanger for harmonica and folding doors
	max. door weight	max. door weight	max. door weight	max. door weight
	kg	kg	kg	kg
21.000	60	100	-	22
23.000	 130	 200	 140	 42
24.000	200	400	240	75
25.000	400	600	480	150
26.000	800	1200	950	300
27.000	1.400	2.000	1.400	-



Multi Track system
Height adjustable
simply clever

NIKO = PERFECTION IN DETAIL!

- ✓ Our products are continuously adapted to the requirements of the market.
- ✓ We sell more than 1.000 products in the sliding door fittings range.
- ✓ We also offer fittings for harmonica & folding doors
- ✓ Sliding wall systems with parking area

PLEASE SEND REQUEST FOR OUR DOCUMENTATION.



AUSTRIA-NIKO Vertriebs GmbH

Hainfelderstraße 48
A - 2560 Berndorf
Tel. 0043 (0) 2672 21201
office.at@niko.eu.com

CHINA-NIKO TRADING (SHANGHAI) Co., Ltd

Room 605, Building #13, No.354
Linghe Road, Pudong District,
P.R.China - 200120 Shanghai
Tel. 0086 139 1814 5645
info.cn@niko.eu.com

GERMANY-NIKO Technik GmbH

Robert-Bosch-Str. 14
DE - 42489 Wülfrath
Tel. 0049 (0) 2058 9093603
Fax 0049 (0) 2058 9093604
office.de@niko.eu.com

GREECE-Helm Hellas S.A.

82nd Km Athens-Korinthos
P.O. Box 209
GR - 201 00 KORINTHOS
Tel. 0030 27410 85803-6
Fax 0030 27410 25368
info@niko.eu.com

POLAND- NIKO Polska

Wojska Polskiego 65A
PL - Wielun 98-300
Tel. 0048 504 00 35 56
info.pl@niko.eu.com

UNITED KINGDOM-NIKO Ltd

Units 15-21, Insight Park
Welsh Road East, Southam
Warwickshire, CV47 1NE - UK
Tel. 0044 (0) 1926 813111
Fax 0044 (0) 1926 815599
Sales@niko.co.uk
www.niko.co.uk

USA-NIKO Track

300 Highpoint Ave
USA - Portsmouth, RI. 02871
Tel. 001 (0) 401 683 7525
Fax 001 (0) 401 293 3848
info@nikotrack.com

www.niko.eu.com

TRADITION IS PROGRESS PRESERVED, PROGRESS IS TRADITION CONTINUED.

NIKO 1972-2017

A family business for 45 years, NIKO has been built on the foundations of Tradition and Progress, always heading towards a successful economic future.

QUALITY IS THE RESULT OF ATTENTION TO DETAIL.

Quality will always be a standard for us, our products, our staff and our partners.

OUR VISION.

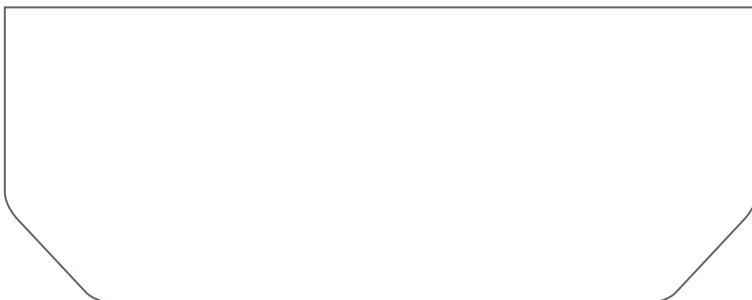
We are an international company and our goal is to be market leaders in each of our business sectors.

OUR VALUES

- ✓ We want to offer our customers the best quality at a reasonable price.
- ✓ We strive for continual improvement in our quality procedures – because we believe the company that doesn't move forward will be left behind.
- ✓ We respond to any demand on the market with the ongoing development of new products.
- ✓ We support our co-workers by ensuring they are highly motivated and well qualified.
- ✓ We want to expand into new sales markets to continue to win satisfied customers.



Your **NIKO** agent will be happy to advise you:



Complete product range **NIKO**:

- A1 – Residential Sliding Door Hardware
- A2 – Sliding Curtains Hardware
- B1 – Heavy Duty Sliding Door Hardware
- B2 – Folding and Harmonica Door Hardware
- B3 – Garage Door and Door around the corner Hardware
- C1 – Overhead Conveyor Systems
- C2 – Light Crane Systems
- C3 – Cable Trolleys and Festoon Systems
- C4 – Personal Fall Arrest Systems (EN 795)
- D – Sliding Gate Hardware